

**Pilot Operated 'Micro Trol' Regulator
 G1/4 to G1 1/4**

- **Pilot operated version allows for remote control and electronic interface**
- **High flow and relief flow characteristics**
- **Balanced valve minimises effect of variations in inlet pressure on outlet pressure**
- **Full flow gauge ports**
- **Panel mounting facility**



Technical Data

Medium: Compressed air

Maximum inlet pressure: 20 bar (300 psig)

Operating temperature: 0° to +80°C (0° to +150°F)*

* Air supply must be dry enough to avoid ice formation at temperatures below +2°C (+35°F).

Recommended regulating pressures†:

0,3 – 17 bar (4.5 – 250 psig) dependant on piloting regulation

† Can be adjusted to zero bar outlet and generally, to pressures in excess of those specified.

Gauge ports:

G1/4 (G1/4 units only)

G3/8 (G3/8 units only)

G1/2 (G1/2 units only)

Rc1/2 (G3/4 to G1 1/4)

Pilot port: G1/4

Materials:

Body: Zinc

Bonnet: Zinc

Main Valve: Brass/synthetic rubber

Elastomers: Synthetic rubber

Bottom Plug: Acetal resin

Pilot regulators

Conventional: 11 400/20AL-X

Normal applications (constant bleed)

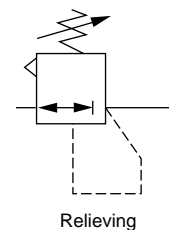
Feedback: 11-204

High flow applications with remote sensing

Ordering Information

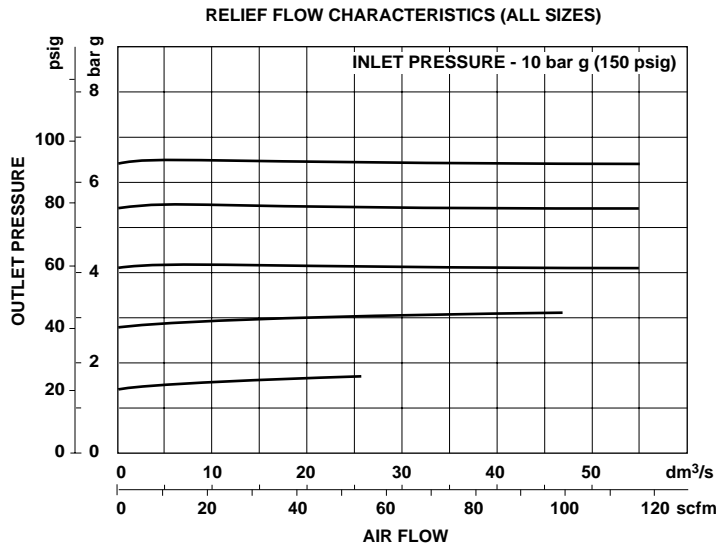
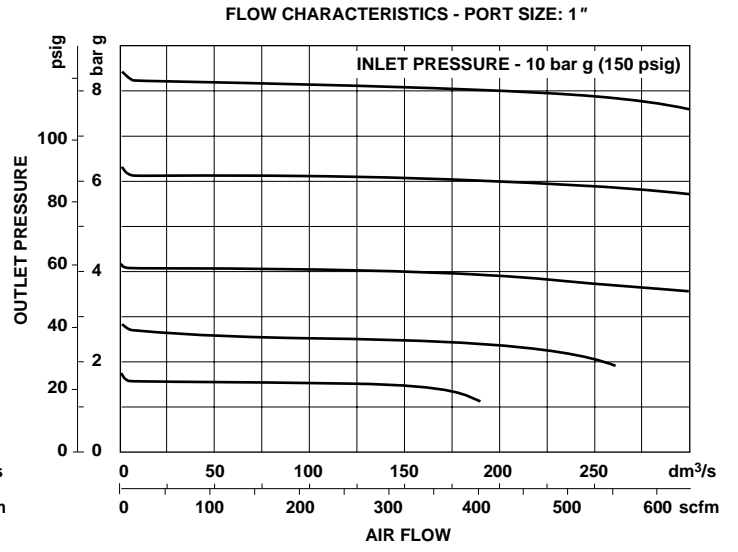
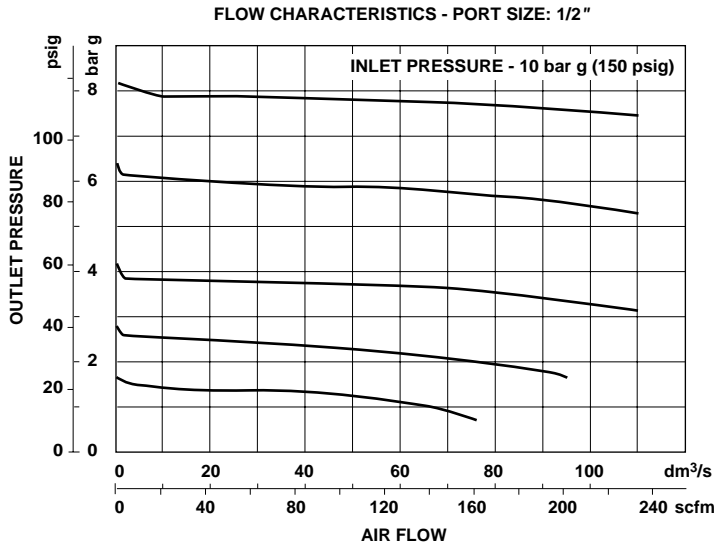
See *Ordering Information* on the following pages.

ISO Symbol





Typical Performance Characteristics (with conventional pilot regulator)





Ordering Information. Models listed are constant bleed units with ISO G threads.

Port Size	Model	Weight kg (lb)
G1/4	R24-201-RNXG	0,73 (1.16)
G3/8	R24-301-RNXG	0,70 (1.54)
G1/2	R24-401-RNXG	0,68 (1.50)
G3/4	R24-601-RNXG	1,18 (2.60)
G1	R24-801-RNXG	1,18 (2.60)
G1 1/4	R24-A01-RNXG	1,14 (2.51)

Alternative Models

R 2 4 - ★ ★ ★ - ★ ★ ★ ★

Port Size	Substitute
G1/4	2
G3/8	3
G1/2	4
G3/4	6
G1	8
G1 1/4	A

Option	Substitute
Not applicable	0

Type	Substitute
Pilot operated	1

Threads	Substitute
PTF	A
ISO Rc taper	B
ISO G parallel	G

Spring	Substitute
None	X

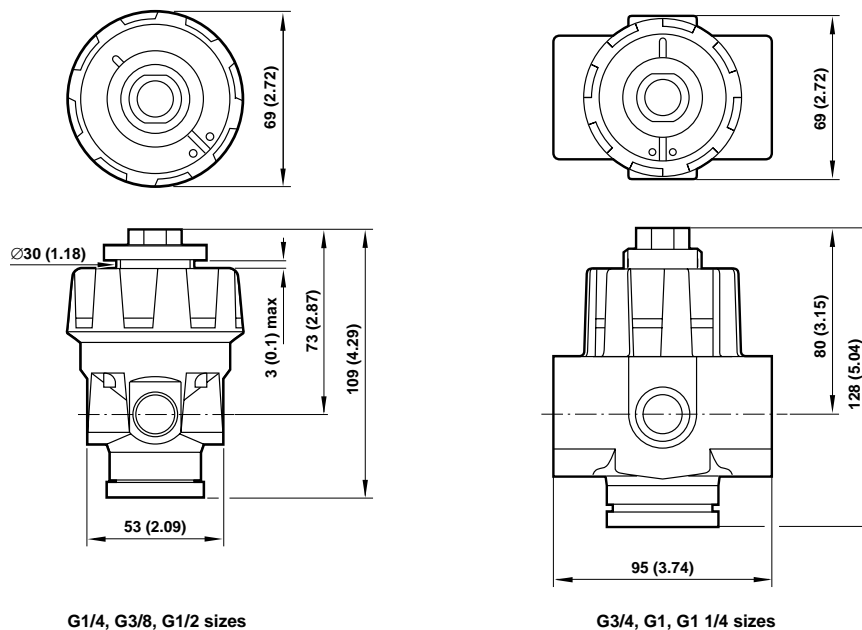
Gauge	Substitute
With	G
Without	N

Diaphragm	Substitute
Relieving	R

Accessories

Image	Description	Pressure	R1/8 Connection	1/4" PTF Connection	Concentric Reducing Adaptors for gauge ports	Metal Panel Nut
	Bracket Kit	6 bar: (90 psig)	18-013-012	18-013-235	R1/4 to G1/8 150232818	2962-04
	Pressure Gauge	10 bar: (150 psig)	18-013-013	18-013-209	R3/8 to G1/8 150233818	
		20 bar: (300 psig)	—	18-013-210	R1/2 to G1/8 150234818	
		25 bar: (350 psig)	18-013-014	—		

Dimensions mm (inches)

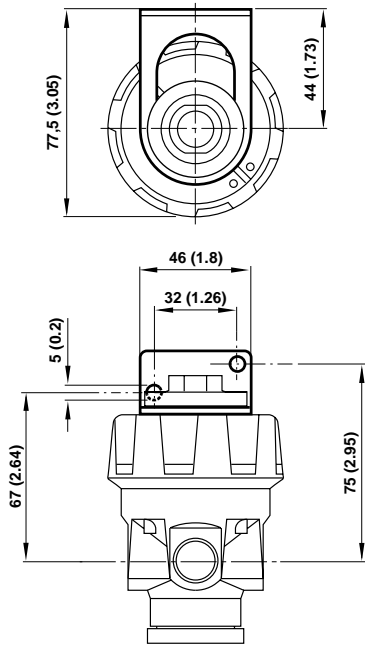




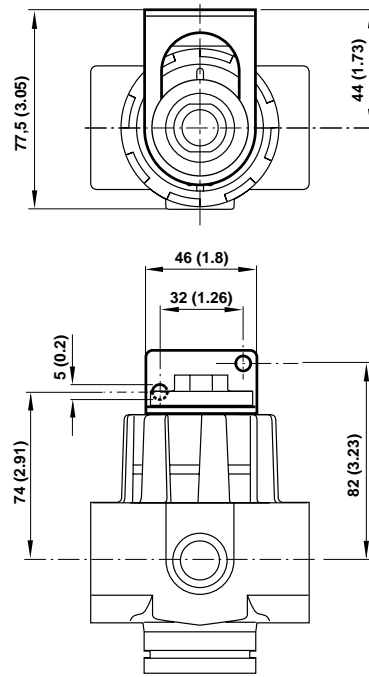
Bracket Mounting

Panel mounting hole diameter: 32 mm (1.26")

Panel thickness: 0 to 3 mm (0" to 0.12")



G1/4, G3/8, G1/2 sizes



G3/4, G1, G1 1/4 sizes

Bracket Kit Reference

Item	Part No.
All models	18-999-412

Note: brackets may be inverted to reduce envelope dimensions.

Service Kits

Item	Type	Part number
Service kit	G1/4, G3/8, G1/2	5292-54
Service kit	G3/4, G1, G1 1/4	5292-55

Service kits include seals, main valve and spring.

Warning

These products are intended for use in industrial compressed air systems only. Do not use these products where pressures and temperatures can exceed those listed under "Technical Data".

Before using these products with fluids other than those specified, for non-industrial applications, life-support systems, or other applications not within published specifications, consult NORGREN.

Through misuse, age, or malfunction, components used in fluid power systems can fail in various modes. The system designer is warned to consider the failure modes of all component parts used in fluid power systems and to provide adequate safeguards to prevent personal injury or damage to equipment in the event of such failure.

System designers must provide a warning to end users in the system instructional manual if protection against a failure mode cannot be adequately provided.

System designers and end users are cautioned to review specific warnings found in instruction sheets packed and shipped with these products.

Water vapor will pass through these units and will condense into liquid if air temperature drops in the downstream system. Install an air dryer if water condensation could have a detrimental effect on the application.